

STATIC COOLING SYSTEM

# FD & SCF SERIES



**UDSscientific**  
ULTRA-LOW TEMPERATURE FREEZERS

## FD SERIES KEY FEATURES

### INTRODUCTION

The FD series of chest type optimized for preservation of chilly air is single cooling system for low cost needs

#### Inner cover

The inner cover of soft polypropylene material is strong and practical against damage, and is effective for interception of outflow of chilly air from the inside of the refrigerator.



#### Door handle (locking system)

The simple and robust door handle can be easily and conveniently used by anyone and is equipped with locking devices to allow access only to the authorized minimum personnel.



### Main body of 100mm insulation thickness

The main body robustly foamed with 100mm thick polyurethane can exert the best insulation performance to block the loss of chilly air.



### Simplified structure design

The simplified machine room in an innovative structure design of independent cooling type can much reduce generation of heat by compressors, and the application of block condensers without pins and filters eliminates the necessity of maintenance such as replacement or cleaning.

### Digital controller

It is convenient to use this machine by applying a digital temp controller equipped with the user-friendly designed display.

STATIC COOLING SYSTEM  
**FD-170SF**

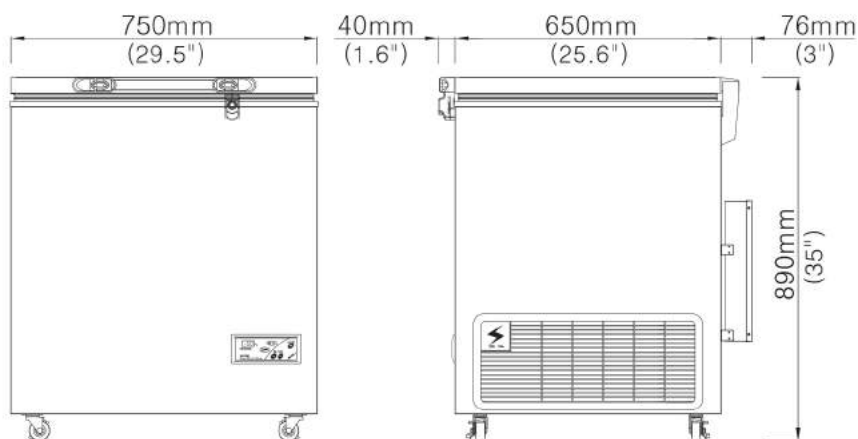


## GENERAL SPECIFICATIONS

Size		Capacity	Materials			Net weight
External	Internal		External	Internal cover	Internal	
750 x 650 x 890mm	550 x 450 x 586mm	131L	High Polymer Coated Steel Plate	PE Foam	High Polymer Coated Steel Plate	73kg
29.5" x 25.6" x 35"	21.6" x 17.7" x 23"	4.6cu.ft				
<b>Cooling system</b>	Single Compressor System	<b>Cooling performance (max)</b>		-80°C		
<b>Range of temperature (use)</b>	-80°C ~ -60°C	<b>Range of temperature (ambient)</b>		15°C ~ 35°C		
<b>Temperature sensor</b>	PT100 Sensor	<b>Refrigerant</b>		HFC (CFC Free Refrigerants System)		
<b>Compressor</b>	Hermetic Type	<b>Type of condenser</b>		Wire Condenser (No Pin, Filter Free Mechanism)		
<b>Controller</b>	Digital	<b>Q'ty of internal cover</b>		1		
<b>Type of rack</b>	10 (1x10) Placed Rack (RFC10SA)	<b>Q'ty of rack</b>		6		
<b>Rated voltage</b>	220V, 50Hz, 2.5A	<b>Power consumption</b>		550W		

\* Voltage and Hz can be customized according to customer's needs  
 \* All specifications are subject to change prior notice

## DETAIL VIEW



STATIC COOLING SYSTEM  
**FD-240SF**

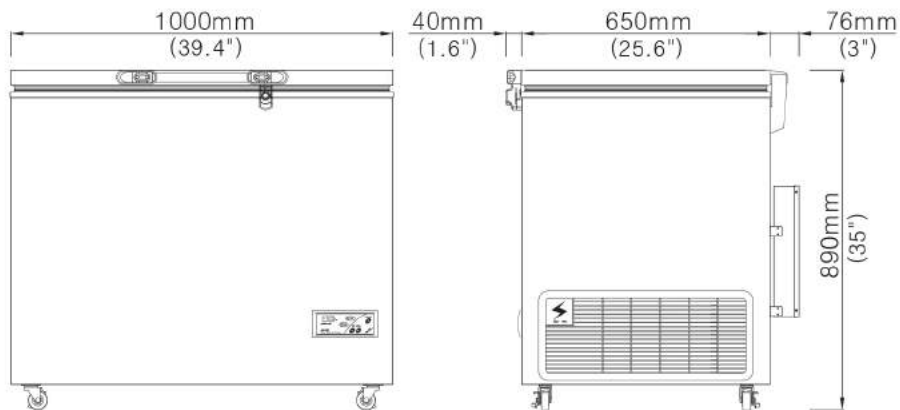


## GENERAL SPECIFICATIONS

Size		Capacity	Materials			Net weight
External	Internal		External	Internal cover	Internal	
1000 x 650 x 890mm	800 x 450 x 586mm	200L	High Polymer Coated Steel Plate	PE Foam	High Polymer Coated Steel Plate	84kg
39.4" x 25.6" x 35"	31.4" x 17.7" x 23"	7cu.ft				
<b>Cooling system</b>	Single Compressor System	<b>Cooling performance (max)</b>		-80°C		
<b>Range of temperature (use)</b>	-80°C ~ -60°C	<b>Range of temperature (ambient)</b>		15°C ~ 35°C		
<b>Temperature sensor</b>	PT100 Sensor	<b>Refrigerant</b>		HFC (CFC Free Refrigerants System)		
<b>Compressor</b>	Hermetic Type	<b>Type of condenser</b>		Wire Condenser (No Pin, Filter Free Mechanism)		
<b>Controller</b>	Digital	<b>Q'ty of internal cover</b>		1		
<b>Type of rack</b>	10 (1x10) Placed Rack (RFC10SA)	<b>Q'ty of rack</b>		9		
<b>Rated voltage</b>	220V, 50Hz, 2.83A	<b>Power consumption</b>		620W		

\* Voltage and Hz can be customized according to customer's needs  
 \* All specifications are subject to change prior notice

## DETAIL VIEW



STATIC COOLING SYSTEM

# FD-340SF

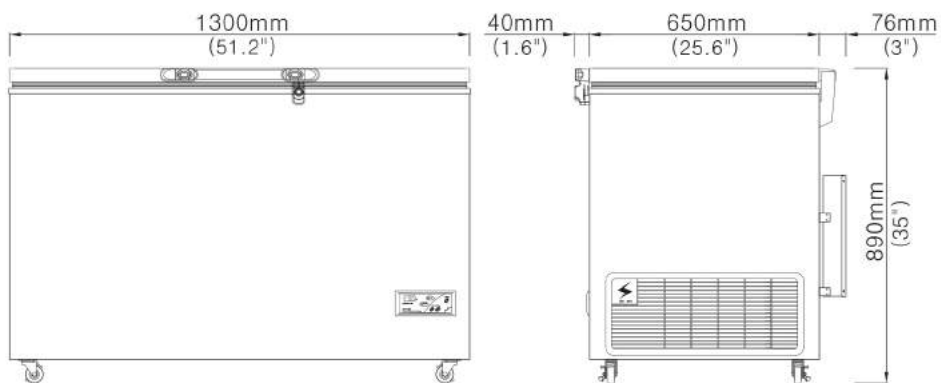


## GENERAL SPECIFICATIONS

Size		Capacity	Materials			Net weight
External	Internal		External	Internal cover	Internal	
1300 x 650 x 890mm	1100 x 450 x 586mm	287L	High Polymer Coated Steel Plate	PE Foam	High Polymer Coated Steel Plate	98kg
51.2" x 25.6" x 35"	43.3" x 17.7" x 23"	10.1cu.ft				
<b>Cooling system</b>	Single Compressor System	<b>Cooling performance (max)</b>		-80°C		
<b>Range of temperature (use)</b>	-80°C ~ -60°C	<b>Range of temperature (ambient)</b>		15°C ~ 35°C		
<b>Temperature sensor</b>	PT100 Sensor	<b>Refrigerant</b>		HFC (CFC Free Refrigerants System)		
<b>Compressor</b>	Hermetic Type	<b>Type of condenser</b>		Wire Condenser (No Pin, Filter Free Mechanism)		
<b>Controller</b>	Digital	<b>Q'ty of internal cover</b>		1		
<b>Type of rack</b>	10 (1x10) Placed Rack (RFC10SA)	<b>Q'ty of rack</b>		15		
<b>Rated voltage</b>	220V, 50Hz, 3.5A	<b>Power consumption</b>		750W		

\* Voltage and Hz can be customized according to customer's needs  
 \* All specifications are subject to change prior notice

## DETAIL VIEW





STATIC COOLING SYSTEM  
**SCF-74D**



## GENERAL SPECIFICATIONS

Size		Capacity	Materials			Net weight
External	Internal		External	Internal door	Internal	
640 x 490 x 950mm	480 x 430 x 470	74.4L	High Polymer Coated Steel Plate	ABS + Polyurethane (Polyurethane Insulation)	High Polymer Coated Steel Plate	70Kg
25.3" x 19.3" x 37.3"	18.9" x 16.9" x 18.5"	2.6 cu.ft.				
<b>Cooling system</b>	Single Compressor System	<b>Cooling performance (max)</b>		-80°C		
<b>Range of temperature (use)</b>	-60°C ~ -80°C	<b>Range of temperature (ambient)</b>		15°C ~ 35°C		
<b>Temperature sensor</b>	PT100 Sensor	<b>Refrigerant</b>		HFC (CFC Free Refrigerants System)		
<b>Compressor</b>	Hermetic Type	<b>Type of condenser</b>		Wire Condenser (No Pin, Filter Free Mechanism)		
<b>Controller</b>	Digital	<b>Shelf materials &amp; Q'ty</b>		Stainless Steel 304, Adjustable, 3 Shelves		
<b>Type of rack</b>	7(1*7) Placed Rack (RFC7SA)	<b>Q'ty of rack</b>		6		
<b>Rated voltage</b>	220V, 50Hz, 2.4A	<b>Power consumption</b>		530W		

\* Voltage and Hz can be customized according to customer's needs  
 \* All specifications are subject to change prior notice

## DETAIL VIEW

